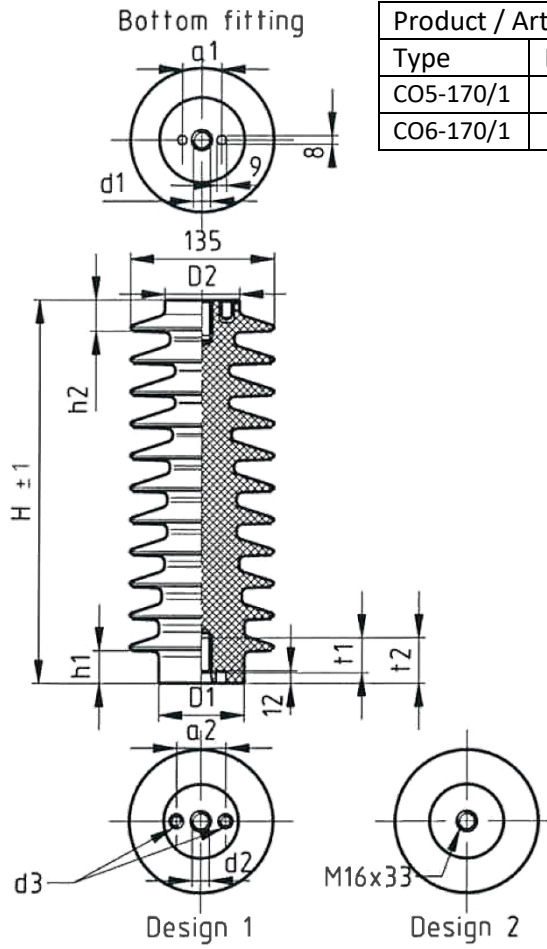


Product / Article			
Type	Design 1	Design 2	Special
CO5-170/1	B107	B108	
CO6-170/1	B288		



Mechanical values										Colour : RAL 8016			
CO5-170/1	360	31	29	80	70	M16x33	M10x20	M6x12	37	36	33	43	
CO6-170/1	360	31	29	80	90	M24x35	M16x33	M10x16	37	66	35	45	
Type	H	h1	h2	D1	D2	d1xt	d2xt	d3xt	a1	a2	t1	t2	
Dimensions (in mm)													

Tests corresponding IEC 60660 (VDE 0441/part 3) – VDE 0446/part1								
CO5-170/1	-	-	170 kV	70 kV	> 5 kN	980 mm	11	4,85 kg
CO6-170/1	-	-	170 kV	70 kV	> 6 kN	973 mm	11	4,95 kg
Type		Designation corresponding IEC 60273	Lightning impulse withstand voltage	Power frequency withstand voltage, wet	Failing load bending	Creepage distance	Numbers of ribs	Weight

Index	Modification / Complement	Date	Name	Appr	Index	Modification / Complement	Date	Name	Appr
a	Product nr	13.10.04	JB		d				
b	-				e				
c	Report and tolerance supplemented	26.01.05			f				

Date	Name	Customer	Article	Drawing N° : M0087
Prepared 210995	JB	BINAME	-	
Approved 18.7.04		Material : Cyclo		
Scale : 1:1	Type :			BINAME INSULATORS Robert Dansaertlaan 250 1702 Groot-Bijgaarden Belgium
General tolerances DIN 16901 130	Casting cycloaliphatic resin outdoor post insulator Nominal Use Voltage 36 kV – H360 mm			