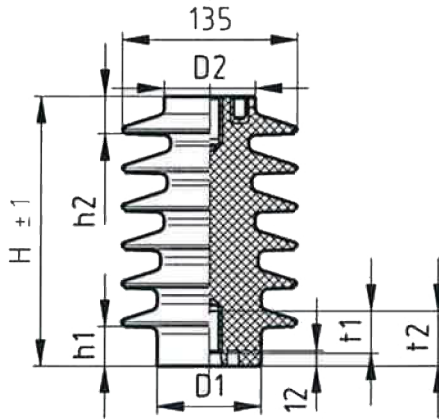
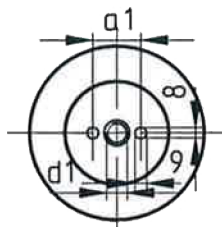
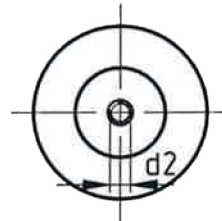
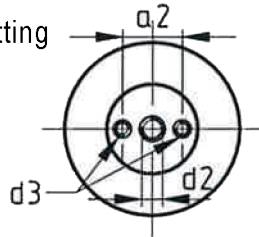


Bottom fitting



Product / Article			
Type	Design 1	Design 2	
CO4-125	B395	B396	
CO8-125	B397	B398	

Top fitting



Design 1

Design 2

Mechanical values										Colour : RAL 8016			
CO4-125	210	31	29	80	70	M16x33	M12x18	M6x16	37	36	33	43	
CO8-125	210	31	29	80	70	M20x34	M20x34	M10x16		46	34	44	
Type	H	h1	h2	D1	D2	d1xt	d2xt	d3xt	a1	a2	t1	t2	
Dimensions (in mm)													

Tests corresponding IEC 60660 (VDE 0441/part 3) – VDE 0446/part1								
CO4-125		H4-125	125 kV	50 kV	> 4 kN	514 mm	6	2,92 kg
CO8-125		H8-125	125 kV	50 kV	> 8 kN	514 mm	6	2,92 kg
Type		Designation corresponding IEC 60273	Lightning impulse withstand voltage	Power frequency withstand voltage, wet	Failing load bending	Creepage distance	Numbers of ribs	Weight

Index	Modification / Complement	Date	Name	Appr	Index	Modification / Complement	Date	Name	Appr
a	Product nr	13.10.04	JB		d				
b	-				e				
c	Report and tolerance supplemented	26.01.05			f				

Date	Name	Customer	Article	Drawing N° : FSH12/24/SC
Prepared	210995	JB	BINAME	
Approved	18.7.04	Material : Cyclo	-	
Scale : 1:1	Type :			
General tolerances DIN 16901 130	Casting cycloaliphatic resin outdoor post insulator Nominal Use Voltage 24 kV – H210			BINAME INSULATORS Robert Dansaertlaan 250 1702 Groot-Bijgaarden Belgium